

ALPAA DIGITAL CALIPERS IP67

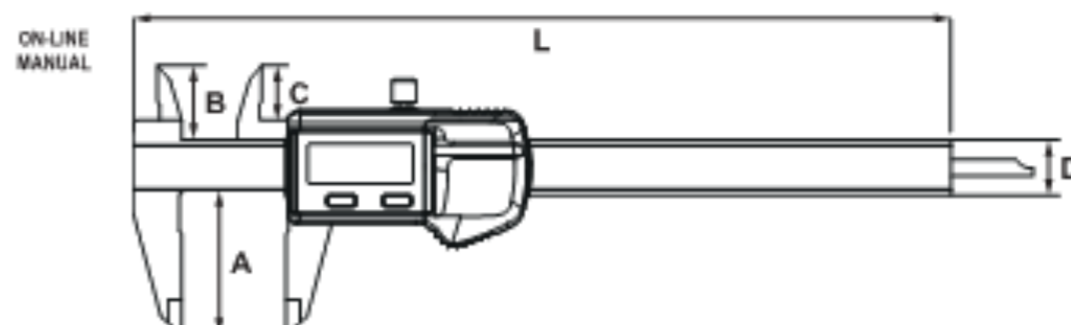
PRO67



ITEM: AA017

0.01mm resolution - Digital caliper with electronics of a very high degree of protection against particles and liquids, even while in temporary submersion. Vernier with locking screw system, ON/OFF button, incremental measuring and zero-setting at any position.

Tech. Code	Measuring range mm	A mm	B mm	C mm	D mm	L mm	Rod
D0007150T	0 + 150	40	22	16	16	235	●
D0007150P						285	■
D0007200	0 + 200	50	24	19		285	■
D0007300	0 + 300	60	26	21		400	■
Tech. Code	Model						
D99113V	Battery 3V DL2032 - CR2032						



DIGITAL CALIPERS IP67



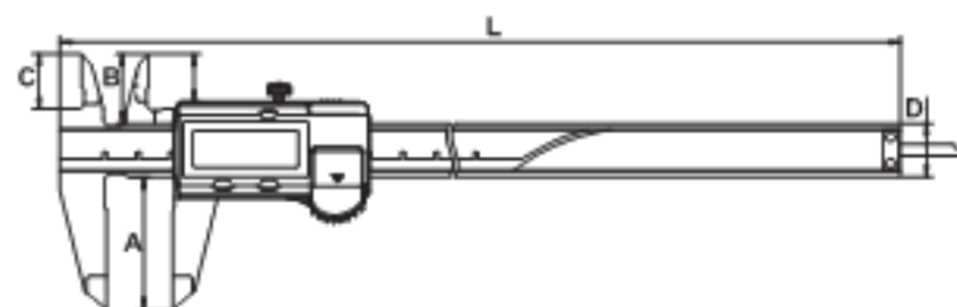
ITEM: SERIES 500

Resolution 0.01 mm - Robust caliper for use in a wide range of applications. The IP67 protection rating allows it to be used in the presence of lubricants, powders and coolants. Exceptional battery life.

Tech. Code	Measuring range mm	A mm	B mm	C mm	D mm	L mm	Rod
D0012150PND	0 + 150	40	21	16.5	16	233	■
D0012150TND						233	●
D0012150	0 + 200	50	24.5	20		290	■
D0012200ND						290	■
D0012200	0 + 300	64	27.5	21.8	20	404	■
D0012300ND						404	■
D0012300	404	■					

Model D0012...ND without data output.

Tech. Code	Model
D99051,5V	Battery 1.5V SR44
D0004USBC	Digimatic cable Input Tool Direct, model IP67, 2 mt - USB
D0001RS232A	Digimatic cable with data key, model IP, 1 mt - RS232



ALPAA DIGITAL CALIPERS IP54 WITH ABSOLUTE FUNCTION

ABSolutus



ITEM: AA019

0.01mm resolution - Digital caliper with electronics of a very high degree of protection against penetration of particles and liquids. Vernier with locking screw system, ON/OFF button, incremental measuring and zero-setting at any position. Absolute origin measuring function.

Tech. Code	Measuring range mm	A mm	B mm	C mm	D mm	L mm	Rod
D0009150P	0 + 150	40	19	16	16	235	■
D0009150T						235	●
D0009200	0 + 200	50	24	19		285	■
D0009300	0 + 300	60	28	21		390	■
Tech. Code	Model						
D99113V	Battery 3V DL2032 - CR2032						

