

ALPA ZERO-CENTRAL DIAL INDICATORS 0.001



ITEM: CB025

Zero central dial gauge, high accuracy and sensibility dial gauge. Resolution 0.001, maximum effective range ± 0.5 mm, total measuring travel 3 mm, upper screw for zero adjustment, jewelled mechanism, shockproof, according to DIN 879 standard, for measurements of gauging force equal to N1, stem movement on spheres provided with mechanical cable lifter.

Tech. Code	Excursion mm	Accuracy μm
D23581	0.05	1

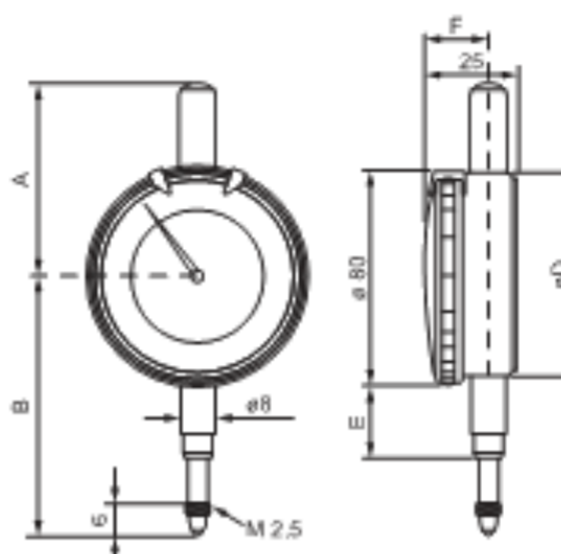
ALPA DIAL INDICATORS $\varnothing 40$



ITEM: CB006

Travel 5 mm. Accuracy according to UNI 4180. Stainless Steel rod and shaft, $\varnothing 8$ mm cylindrical stem.

Tech. Code	Excursion mm	Resolution mm	A mm	B mm
D23525	5	0.01	28.6	48.5



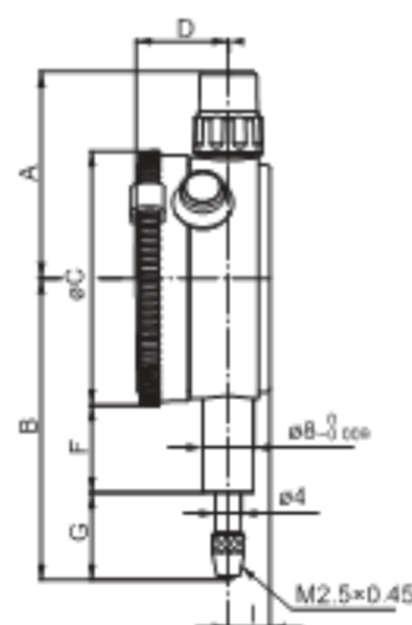
DIAL INDICATORS $\varnothing 40$



ITEM: SERIE 1

Metric model in compact size, dial $\varnothing 40$ mm, Stainless Steel rod and shaft, cylindrical mount $\varnothing 8$. accuracy according to DIN 878.

Tech. Code	Excursion mm	A mm	B mm	C mm	D mm	F mm	G mm	I mm
D23655	0 + 5	32,5	47,5	40	14,5	13,8	13,7	6,6



ALPA DIAL INDICATORS $\varnothing 58$



ITEM: CB005

Shock-proof mechanism (only for D235110), accuracy according to UNI4180, stainless steel rod and shaft, $\varnothing 8$ mm cylindrical mount.

Tech. Code	Excursion mm	Resolution mm	A mm	B mm
D235110	10	0.01	42.8	68.5
D235125	25			80.9
D235130	30			

